

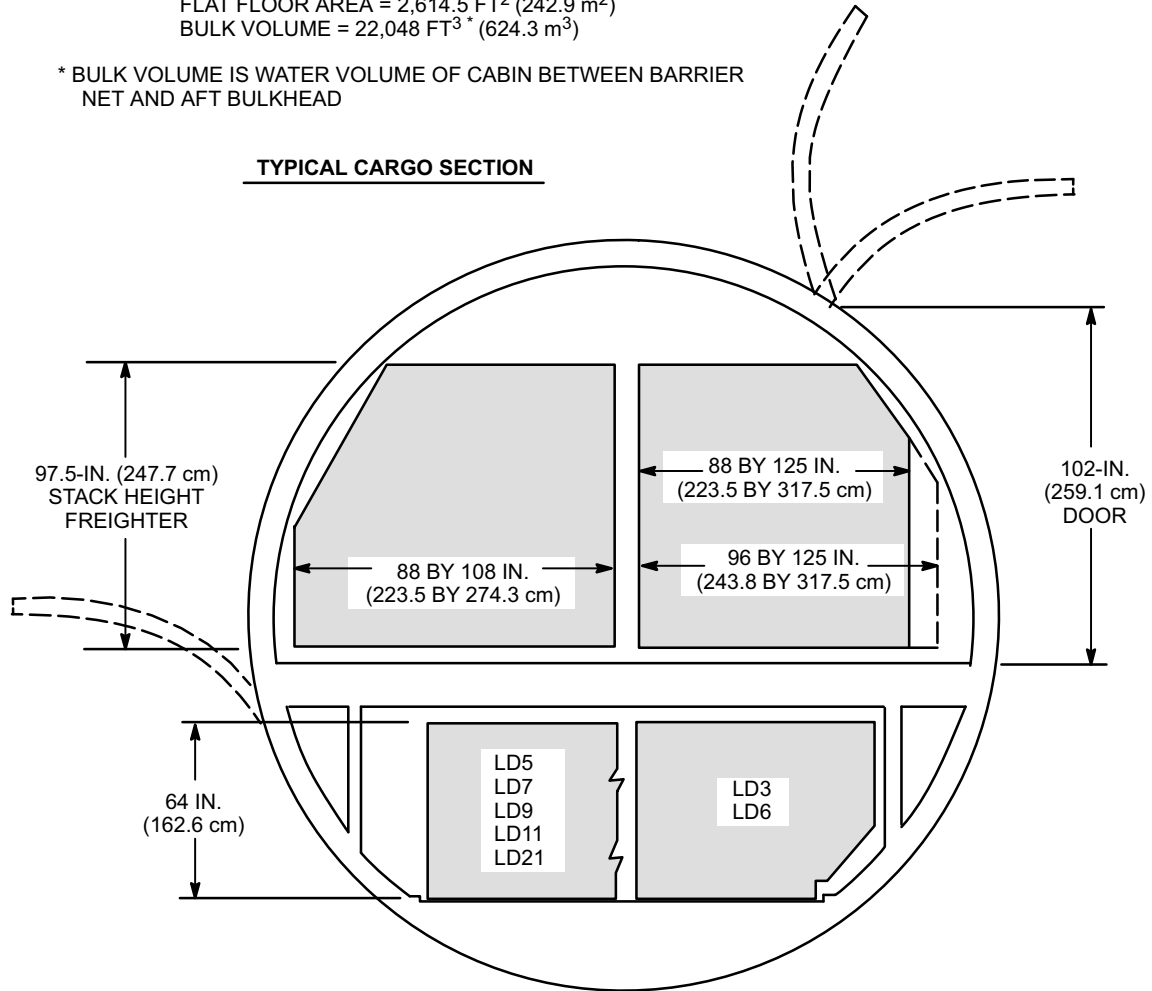
- FREIGHTER (26) 88- BY 125-IN. PALLETS = 14,542 FT³ (411.8 m³)
- (26) 96- BY 125-IN. PALLETS = 15,514 FT³ (439.3 m³)
- CF (26) 88- BY 125-IN. PALLETS = 13,521 FT³ (382.9 m³)
- (26) 96- BY 125-IN. PALLETS = 14,508 FT³ (410.8 m³)

FREIGHTER (34) 88- BY 108-INCH PALLETS = 15,537 FT³ (440.0 m³)

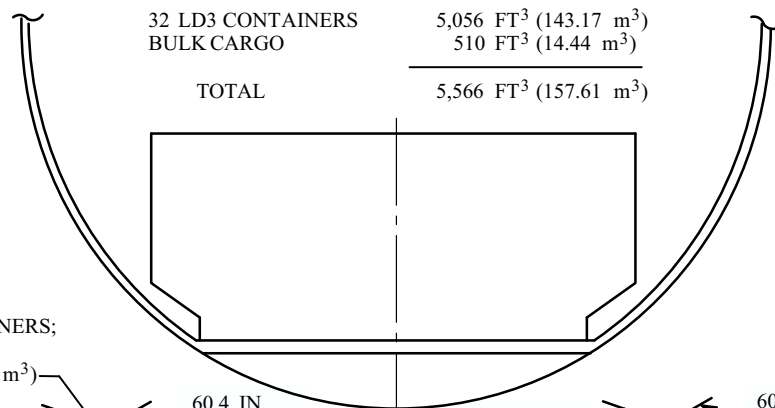
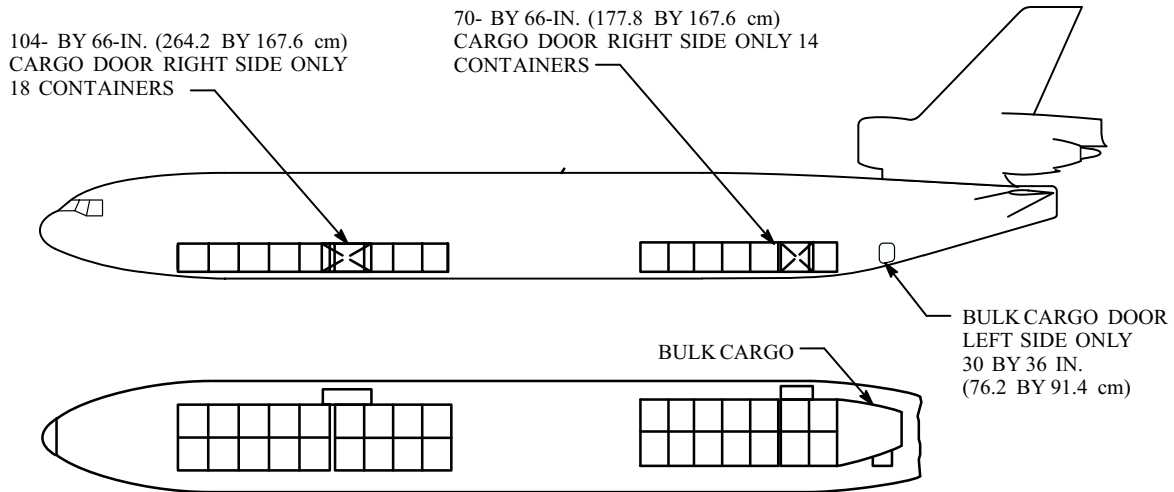
MAIN CARGO LOADED COMPARTMENT
 LENGTH = 144 FT 4 IN. (44.0 m)
 FLAT FLOOR AREA = 2,614.5 FT² (242.9 m²)
 BULK VOLUME = 22,048 FT³* (624.3 m³)

* BULK VOLUME IS WATER VOLUME OF CABIN BETWEEN BARRIER NET AND AFT BULKHEAD

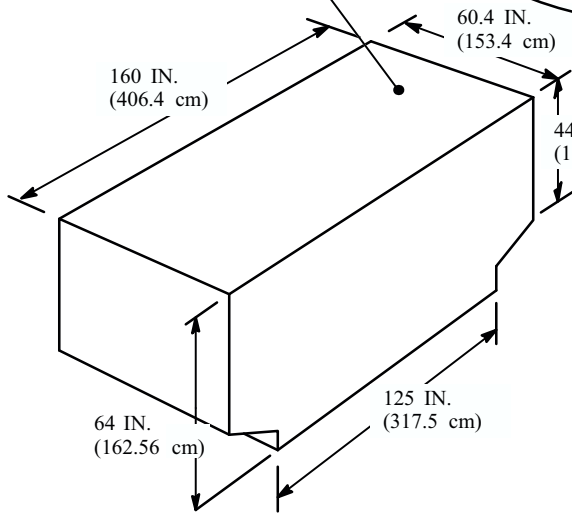
TYPICAL CARGO SECTION



**CROSS SECTION – CARGO
 MODEL MD-11F/CF**

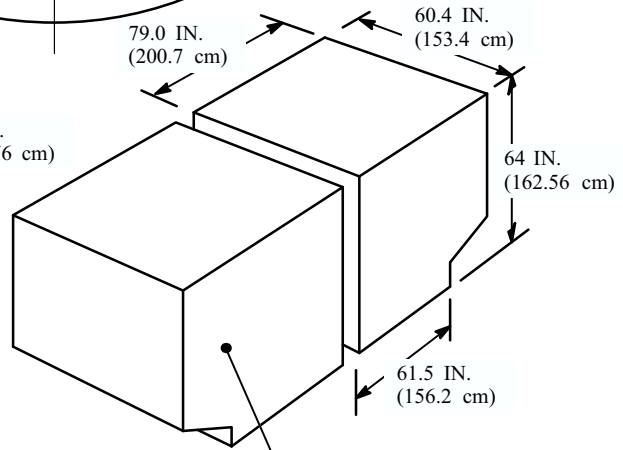


16 FULL WIDTH CONTAINERS;
EACH 320 FT³ (9.06 m³)
TOTAL 5,120 FT³ (144.98 m³)



LD6 CONTAINER

GROSS WEIGHT	TARE WEIGHT
7,000 LB EACH	600 LB EACH
(3,175.2 kg)	(272.2 kg)



32 HALF WIDTH CONTAINERS;
EACH 158 FT³ (4.47 m³)
TOTAL 5,056 FT³ (143.17 m³)

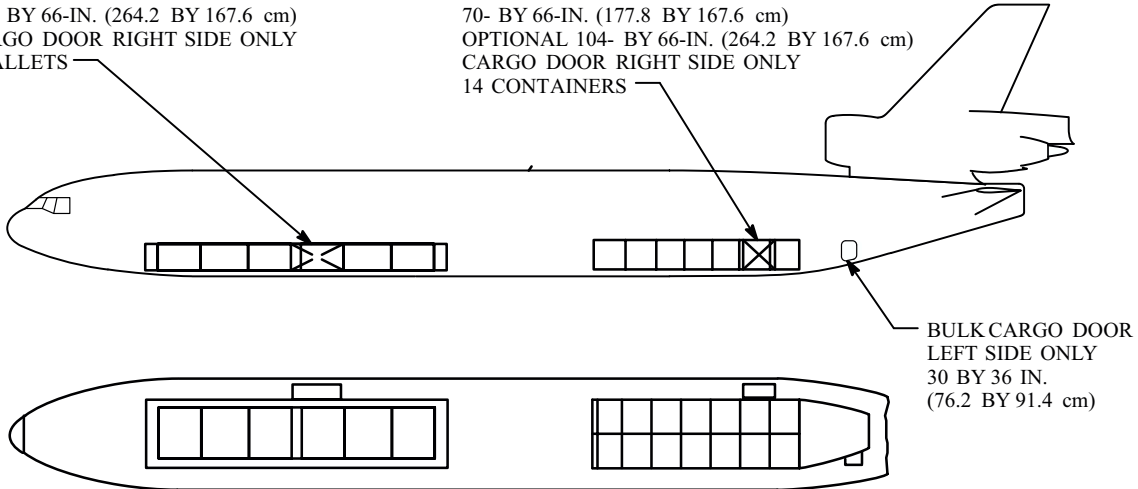
LD3 CONTAINER

GROSS WEIGHT	TARE WEIGHT
3,500 LB EACH	320 LB EACH
(1,587.6 kg)	(145.2 kg)

**LOWER COMPARTMENT
CARGO COMPARTMENTS – CONTAINERS
MODEL MD-11**

104- BY 66-IN. (264.2 BY 167.6 cm)
CARGO DOOR RIGHT SIDE ONLY
6 PALLETS

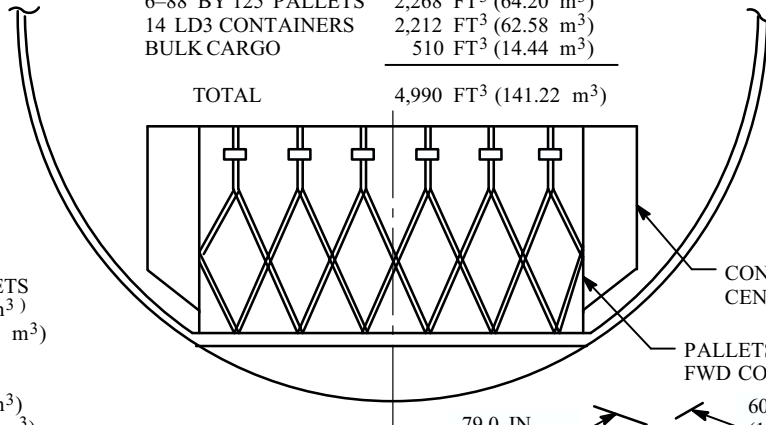
70- BY 66-IN. (177.8 BY 167.6 cm)
OPTIONAL 104- BY 66-IN. (264.2 BY 167.6 cm)
CARGO DOOR RIGHT SIDE ONLY
14 CONTAINERS



BULK CARGO DOOR
LEFT SIDE ONLY
30 BY 36 IN.
(76.2 BY 91.4 cm)

OR

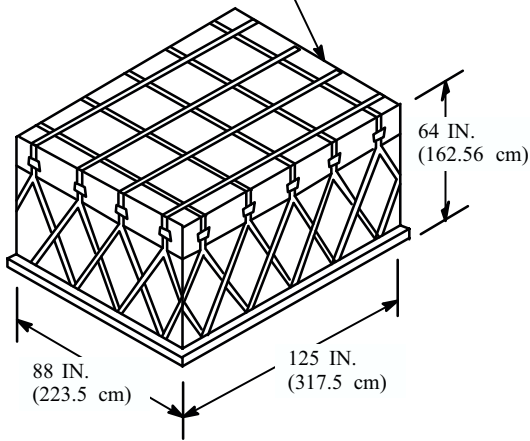
6-96 BY 125 PALLETS	2,667 FT ³ (75.52 m ³)
6-88 BY 125 PALLETS	2,268 FT ³ (64.20 m ³)
14 LD3 CONTAINERS	2,212 FT ³ (62.58 m ³)
BULK CARGO	510 FT ³ (14.44 m ³)
TOTAL	4,990 FT³ (141.22 m³)



CONTAINERS
CENTER COMPARTMENT

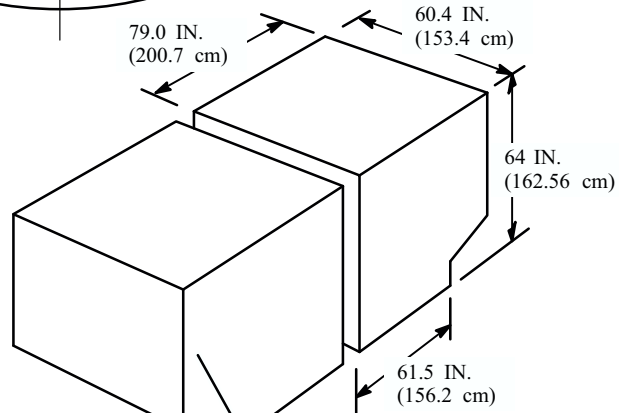
PALLETS
FWD COMPARTMENT

6-96 BY 125-IN. PALLETS
EACH 444 FT³ (12.57 m³)
TOTAL 2,664 FT³ (75.41 m³)
OR
6-88 x 125 PALLETS
EACH 378 FT³ (10.70 m³)
TOTAL 2,268 FT³ (64.2 m³)



88 BY 125-IN. PALLET (223.5 BY 317.5 cm)

GROSS WEIGHT	TARE WEIGHT
10,300 LB EACH	248 LB EACH
(4,672.1 kg)	(112.5 kg)

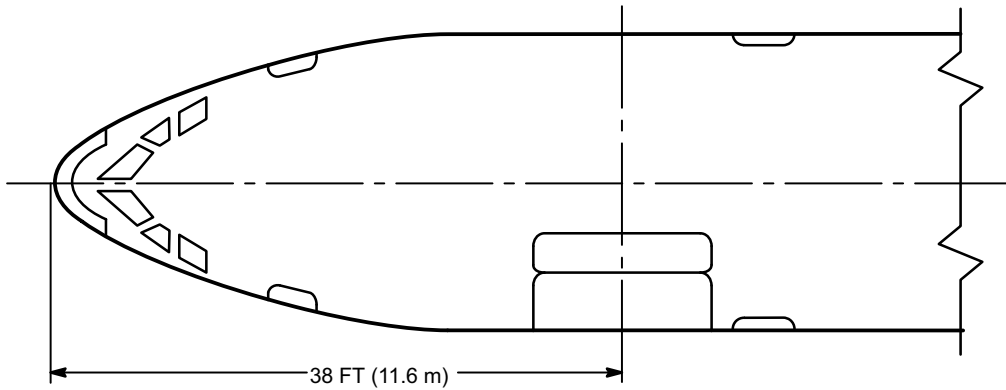


14 HALF WIDTH CONTAINERS; (LD3)
EACH 158 FT³ (4.47 m³)
TOTAL 2,212 FT³ (62.64 m³)

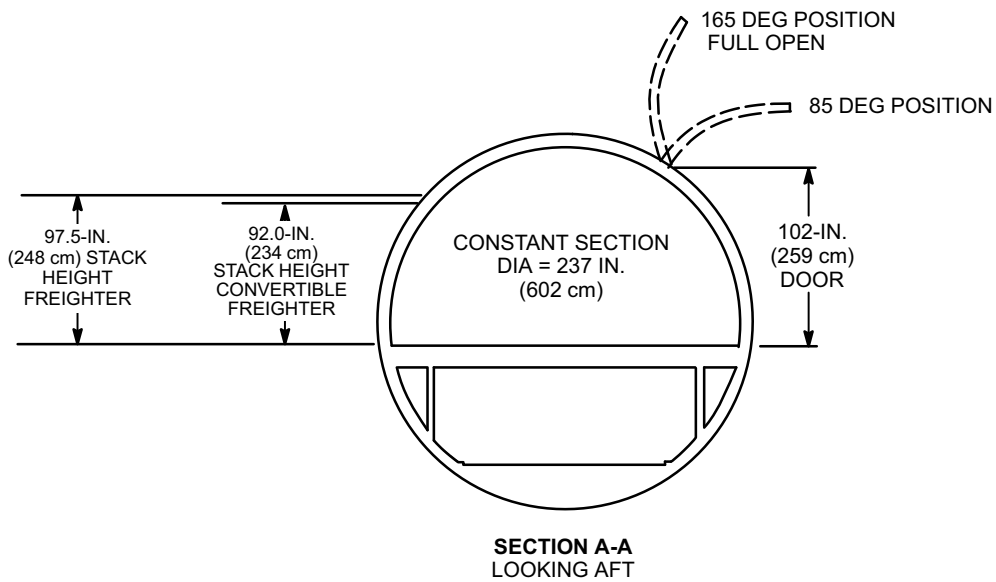
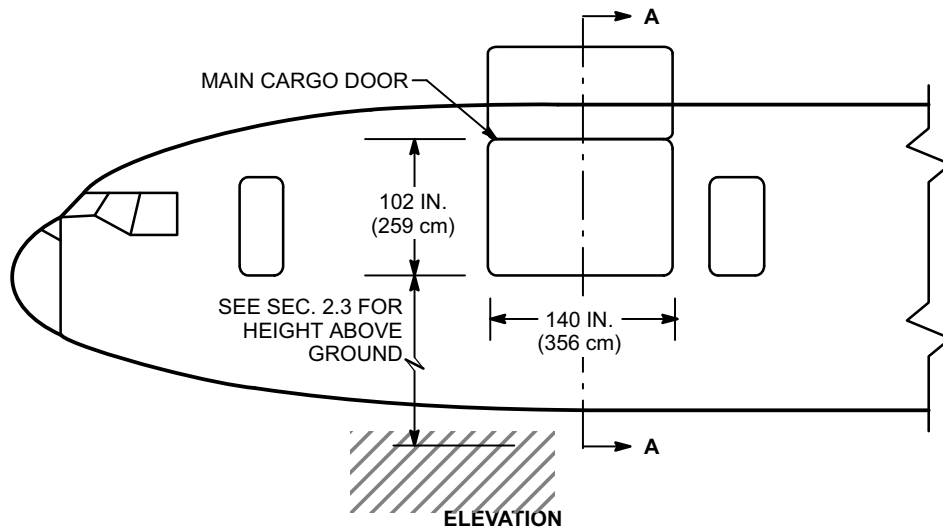
LD3 CONTAINER

GROSS WEIGHT	TARE WEIGHT
3,500 LB EACH	320 LB EACH
(1,587.6 kg)	(145.2 kg)

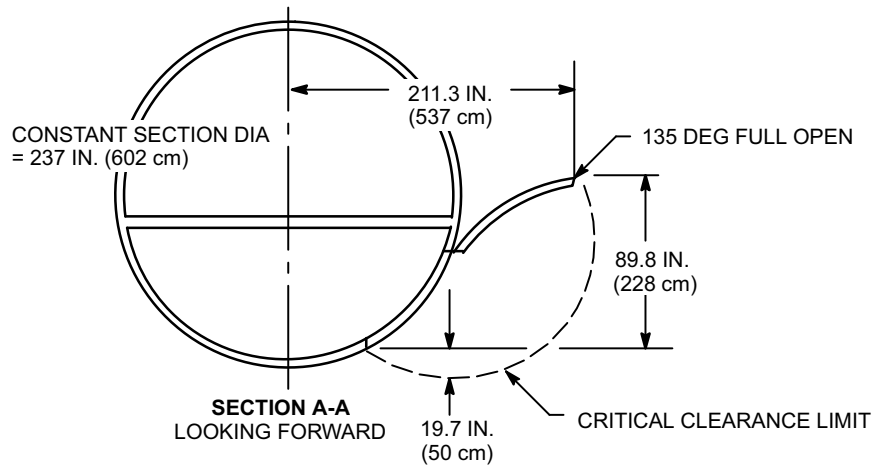
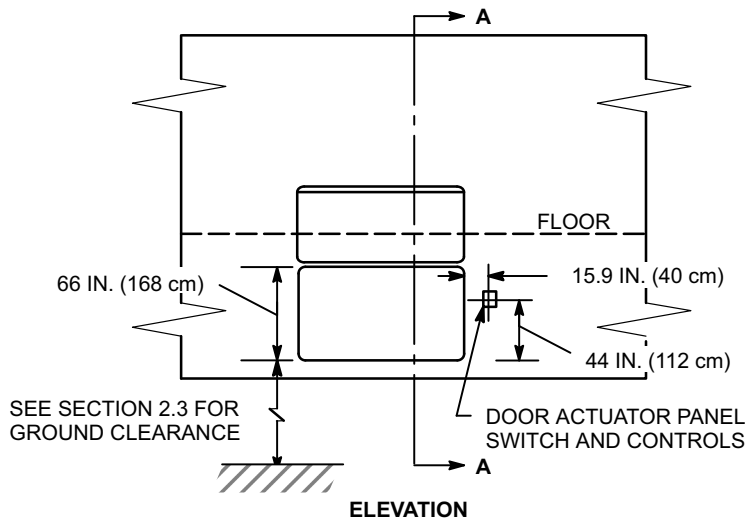
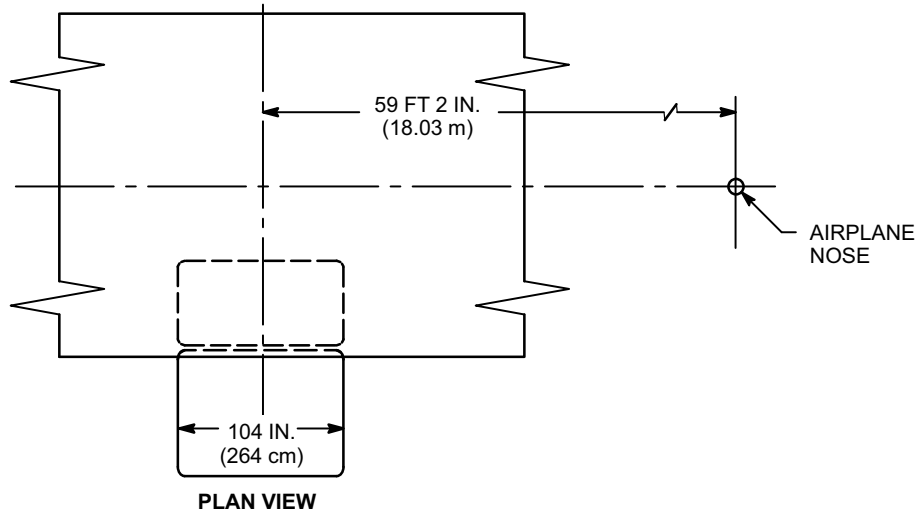
CARGO COMPARTMENTS – CONTAINERS/PALLETS MODEL MD-11



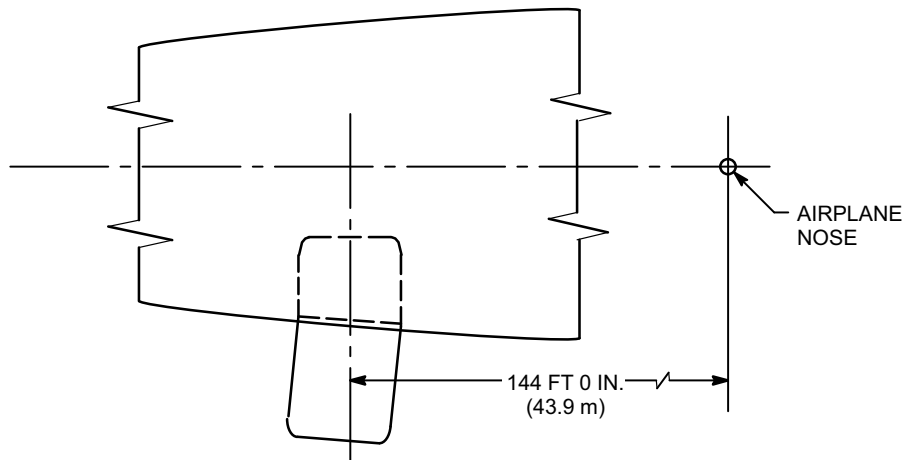
PLAN VIEW



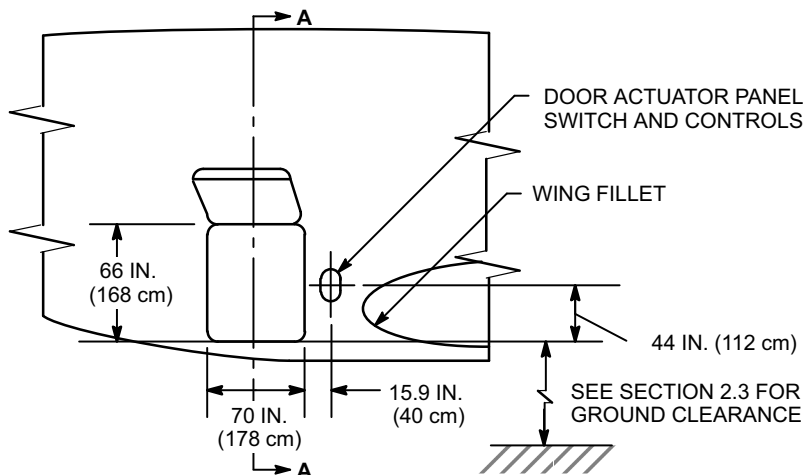
**CARGO LOADING DOORS – MAIN DECK
MODEL MD-11F/CF**



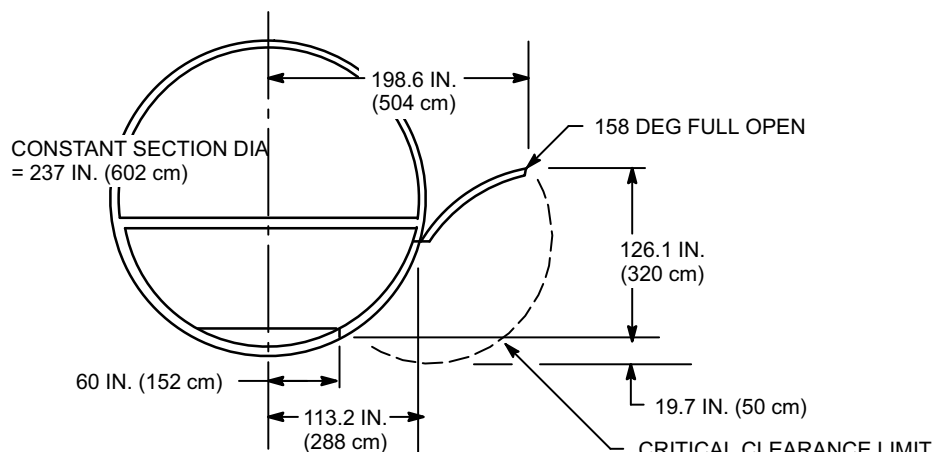
**CARGO LOADING DOORS, LOWER DECK
FORWARD DOOR
MODEL MD-11**



PLAN VIEW

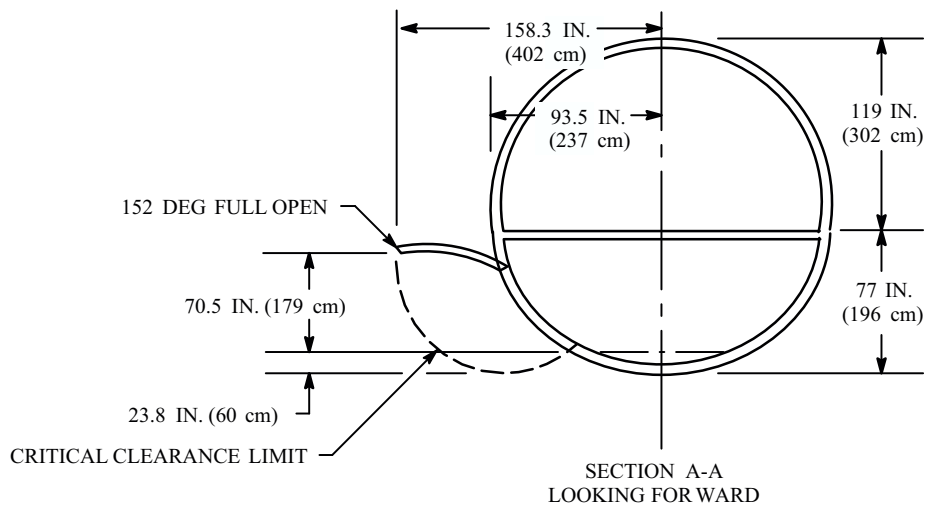
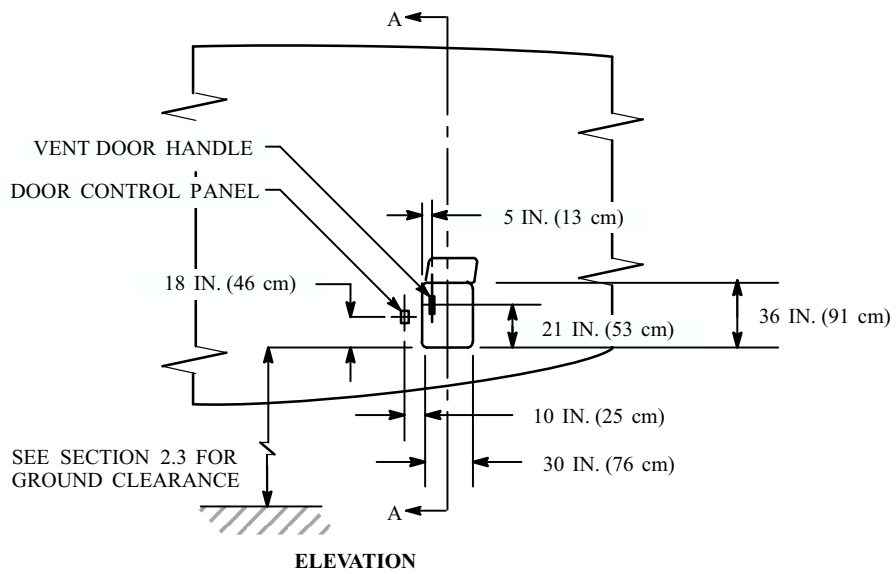
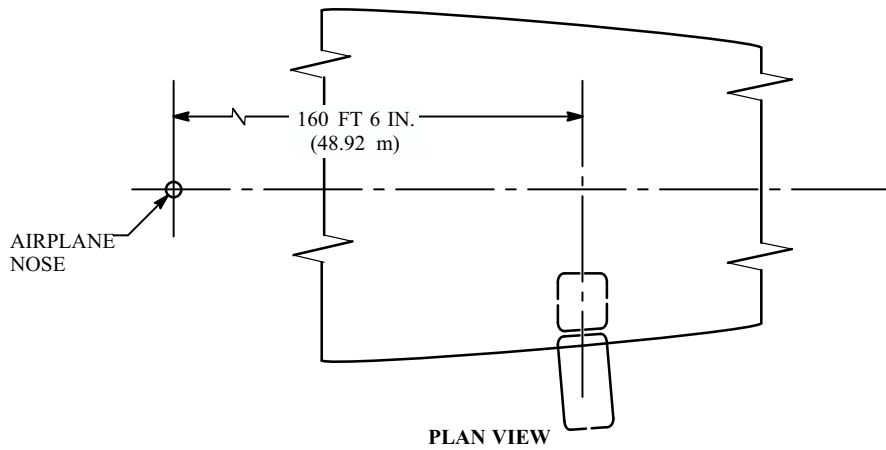


ELEVATION



SECTION A-A
LOOKING FORWARD

**CARGO LOADING DOORS, LOWER DECK
CENTER CARGO DOOR
MODEL MD-11**



**CARGO LOADING DOORS, LOWER DECK
AFT BULK CARGO DOOR
MODEL MD-11**